



LEVEL REGULATOR

GENERAL FEATURES

A1 and A2 type level regulator devices are fully automatic devices used to control and adjust liquid level in open and closed containers. That equipment used in all pressurised boilers and water booster up to 16 atm. It consist of 2 pieces 3 functional contact tubes and provides 3 on-off status.

The liquid level is measured by float which is 25 atm pressure resistant stainless steel. The movement of the float moves the switch with a stainless steel shaft. The active movement and sealing of the shaft and the float is provided by 25 atm resistant stainless steel. The contact and control parts are insulated with pressurized aluminium casting.

It is possible to control the device in the system through the manual control and monitoring window in the switch housing.

The switch part is firmly attached against the shocks. There is a safety unit against the wrong adjustments that may occur. There is not wearing sealing box.

Wide range of settings: A1: 15 - 75 mm, A2: 15 - 30 mm. Mercury contact tubes can also be adjusted and can operate at 380 V, 3A, 1.1 kW alternating current or 220 V 1.A 220 VA direct current. The new type Flanged Level Regulator Device provides a practical use with its easy to install feature.

Connection

Threaded or Flanged

Pressure

Max. 25 bar

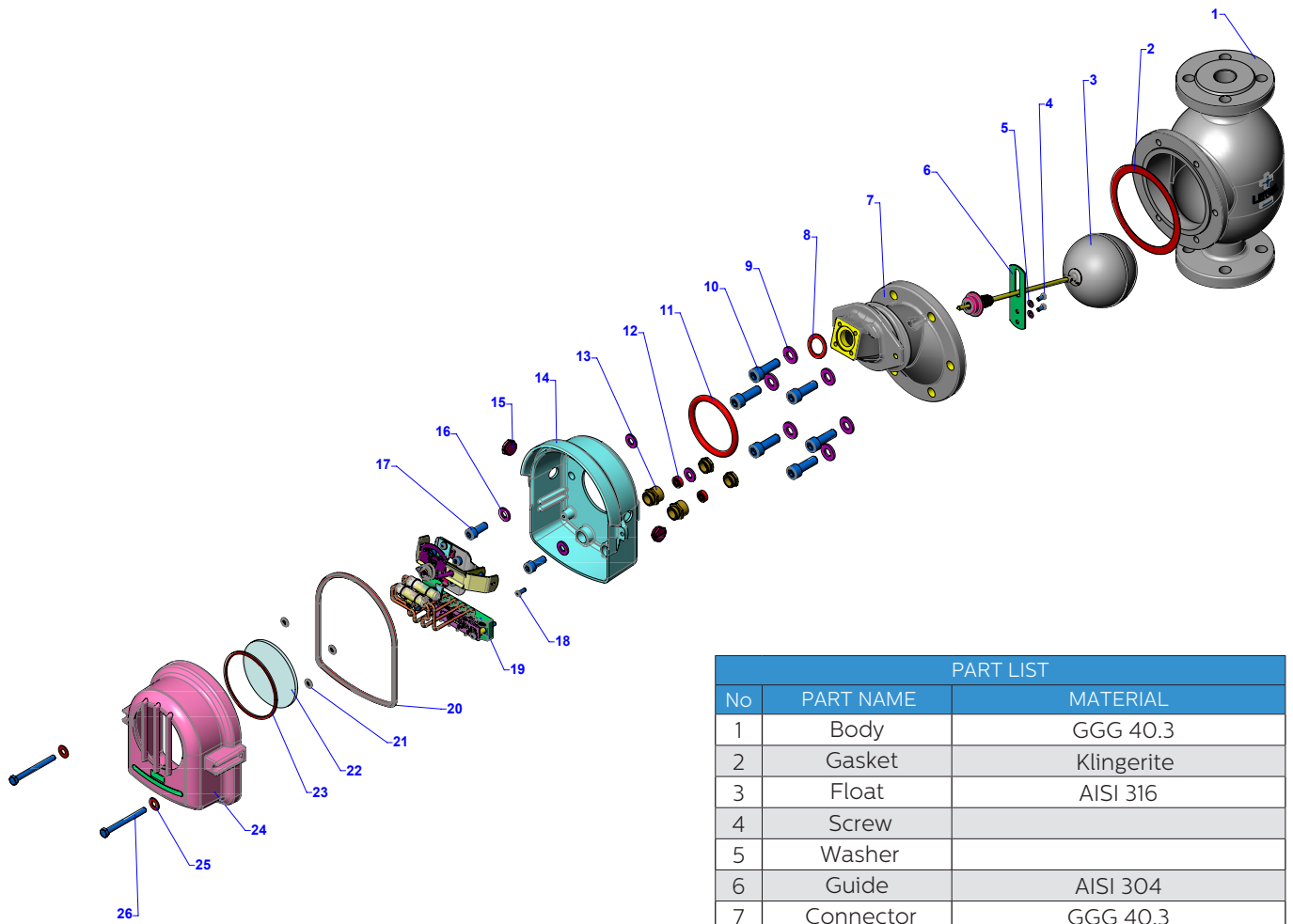
Working Temperature

Max. Working Temperature 200 °C

Applications

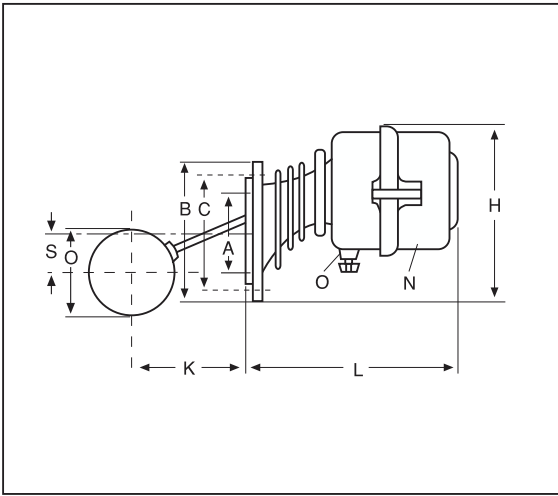
- Water Booster
- Steam boilers

LEVEL REGULATOR

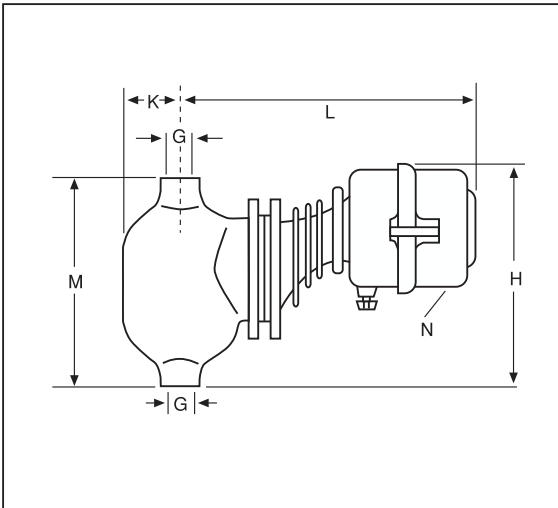


PART LIST		
No	PART NAME	MATERIAL
1	Body	GGG 40.3
2	Gasket	Klingerite
3	Float	AISI 316
4	Screw	
5	Washer	
6	Guide	AISI 304
7	Connector	GGG 40.3
8	Gasket	Klingerite
9	Washer	
10	Imbus Bolt	
11	O-Ring	Silicon
12	Gasket	Rubber
13	Cable Gland	Brass
14	Lower Cover	Aluminium
15	Adjustment Bolt	Brass
16	Washer	
17	Imbus Bolt	
18	Screw	
19	Connector	
20	Cover Gasket	Silicon
21	Washer	
22	Glass	
23	Gasket	Klingerite
24	Upper Cover	Aluminium
25	Washer	
26	Bolt	

LEVEL REGULATOR

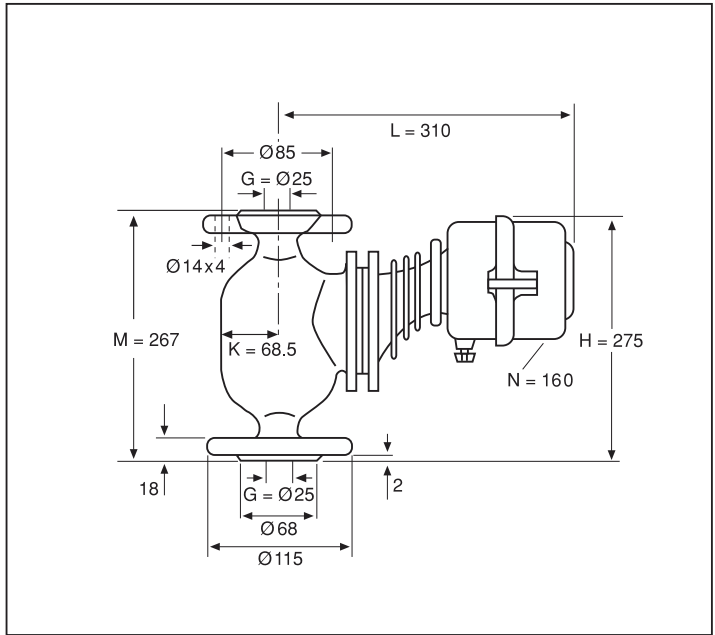


TYPE A1

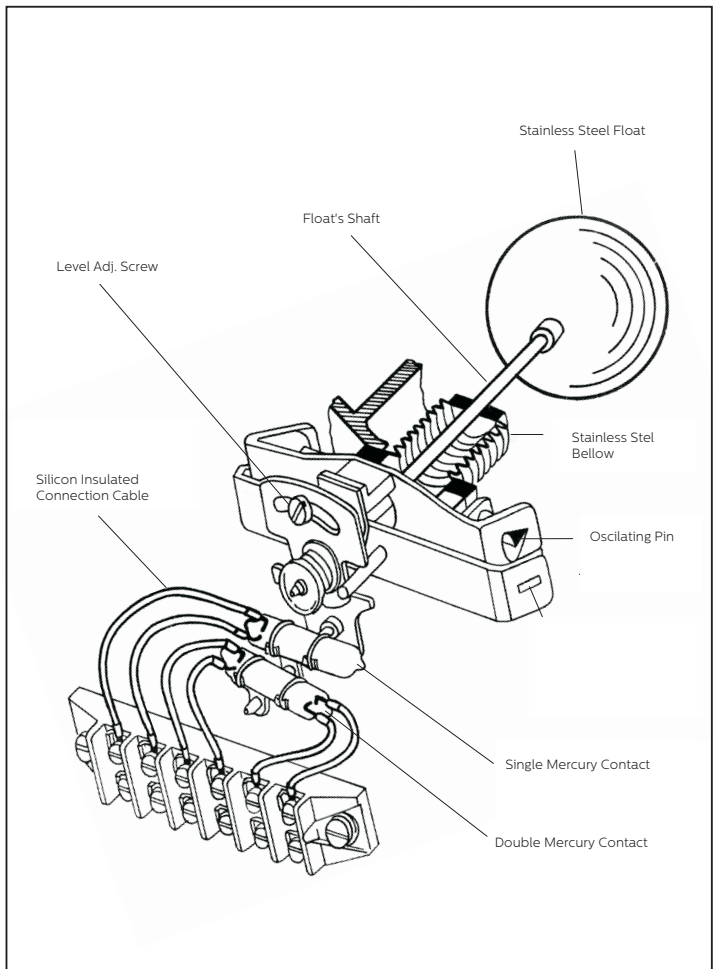


TYPE A2

		A1	A2
A	mm	100 Ø	—
G	mm	—	R1
B	mm	145	—
C	mm	125 Ø / 6 x 11.5 Ø	—
H	mm	210	245
K	mm	85	70
L	mm	220	300
M	mm	160	205
N	mm	160	160
O	mm	90	—
S	mm	5	—
Weight	kg	6	11



FLANGED BODY



LEVEL REGULATOR

LEVEL REGULATOR

کنترل تک

واحد فروش ۰۲۱۶۶۴۷۹۴۸۶

واتساب استعلام ۰۹۱۲۸۴۴۸۷۶۳



HEAD OFFICE - FACTORY

Atatürk Sanayi Bölgesi Hadımköy Mahallesi Mustafa `nan Caddesi No: 44 Arnavutköy - ISTANBUL
Tel: +90 212 771 01 45 (pbx) | Fax: +90 212 771 47 27
info@ayvaz.com | www.ayvaz.com

Cona
Caserta/Italy
Tel: +39 0823 187 3988
rmolaro@ayvaz.com

Ayvaz Russia
Moscow/Russia
Tel: +74959951728
ayvazrus@ayvaz.com

Ayvaz Germany
Viernheim/Germany
Tel: +49 62046014399
germany@ayvaz.com

Ayvaz Ukraine
Kiev/Ukraine
Tel: +380 44 390 57 57
info@ayvaz.com.ua

Tricorr
Warsaw/Poland
Tel: +48-32-783-295-1
tricorr@tricorr.eu

Haci Ayvaz M.E.
Dubai/U.A.E
Tel: +971 563550822
+971 501306871
mideast@ayvaz.com

Ayvaz China
Cixi City/China
Tel: +86 0574 5897 3851
info@ayvazchina.com

Ayvaz Kazakhstan LLP
Almaty/Kazakhstan
Tel: +7 (727) 327 97 57
info_kz@ayvaz.com
www.ayvaz.kz

Ayvaz N
Isperih/Bulgaria
Tel: +359 8431 27 32
office@ayvaz-n.eu

Ayvaz Serbia
Belgrad/Serbia
Tel: +381 61 658 70 52
yakbiyik@ayvaz.com