



AYVAZ
کنترل تک

واحد فروش ۰۲۱۶۶۴۷۹۴۸۶

واتساب استعمال ۰۹۱۲۸۴۴۸۷۶۳



EG-11

LEVEL MEASUREMENT DEVICE

GENERAL FEATURES

The Ayvaz EG-11 is a closed-loop control device. Float element is used as the main part. Change in liquid level causes the float in the vertical direction along the tube. The movement of the magnetic float stimulates the reed switches that produce a signal according to whether the reed switches are open or closed. The generated signal is detected by the digital display element. The digital indicator that works according to the binary scheme evaluates the signal and reports its position.

EG-11 level control devices provide output of the 4-20mA or 0-10V automation system to the control panel, regardless of the shape of level tank in the top connected tanks. The reed switches that are installed inside of the device give an omeg signal due to the magnetic float moving on the tube. This signal can be converted to 4-20mA or 0-10V using the EG-112R control panel.

At the same time, it is possible to receive 4 contacts at the desired points via the panel. 4-20 mA signal can be supplied to compatible system via in-built converter in advance.

Product Features

Body and Float

: AISI 304 Stainless Steel
(Opt. AISI316 and Extra Teflon Coated)

Feeding Voltage

: 220 VAC (24 V Optional)

Flanged Material

: Carbon Steel St37.2 / Stainless Steel

Connection Dia. and

: Min. DN50 PN16 Flanged,

Type

Min. 2" Threaded

Working Temperature

: -10 / +125 °C

Analog Output

: 4-20 mA

Max. Working Pressure

: 16 bar

Accessories

: Control Panel and Digital Display

Digital Display

: EG-11 2R Digital Display
(24V DC veya 220 VAC)

Optional Selection

: IP68 + EX-PROOF

Advantages

- Ability to get contact at desired points
- Both open / closed contact
- Long life duration
- Complete stainless steel parts
- Simple assembly application and easy to use

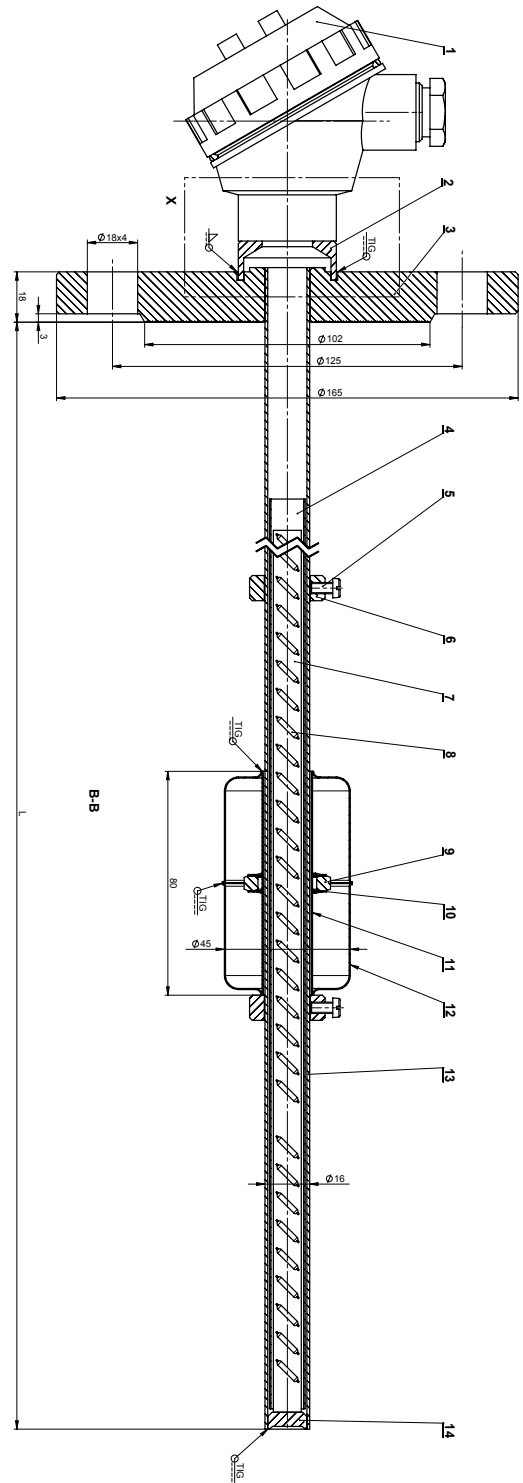
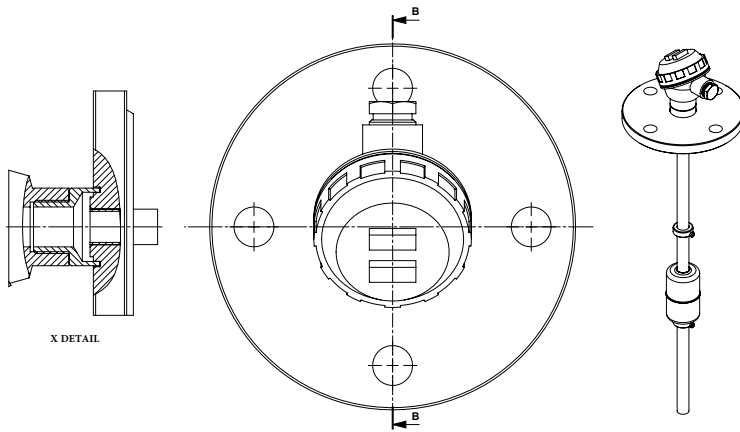
Application Areas

- Shipbuilding industry
- Waste water and bilge tanks
- Waste / clean water tanks
- Food industry
- Fuel tanks
- Acid tanks
- Chemical / petrochemical tanks



EG-11 LEVEL MEASUREMENT DEVICE

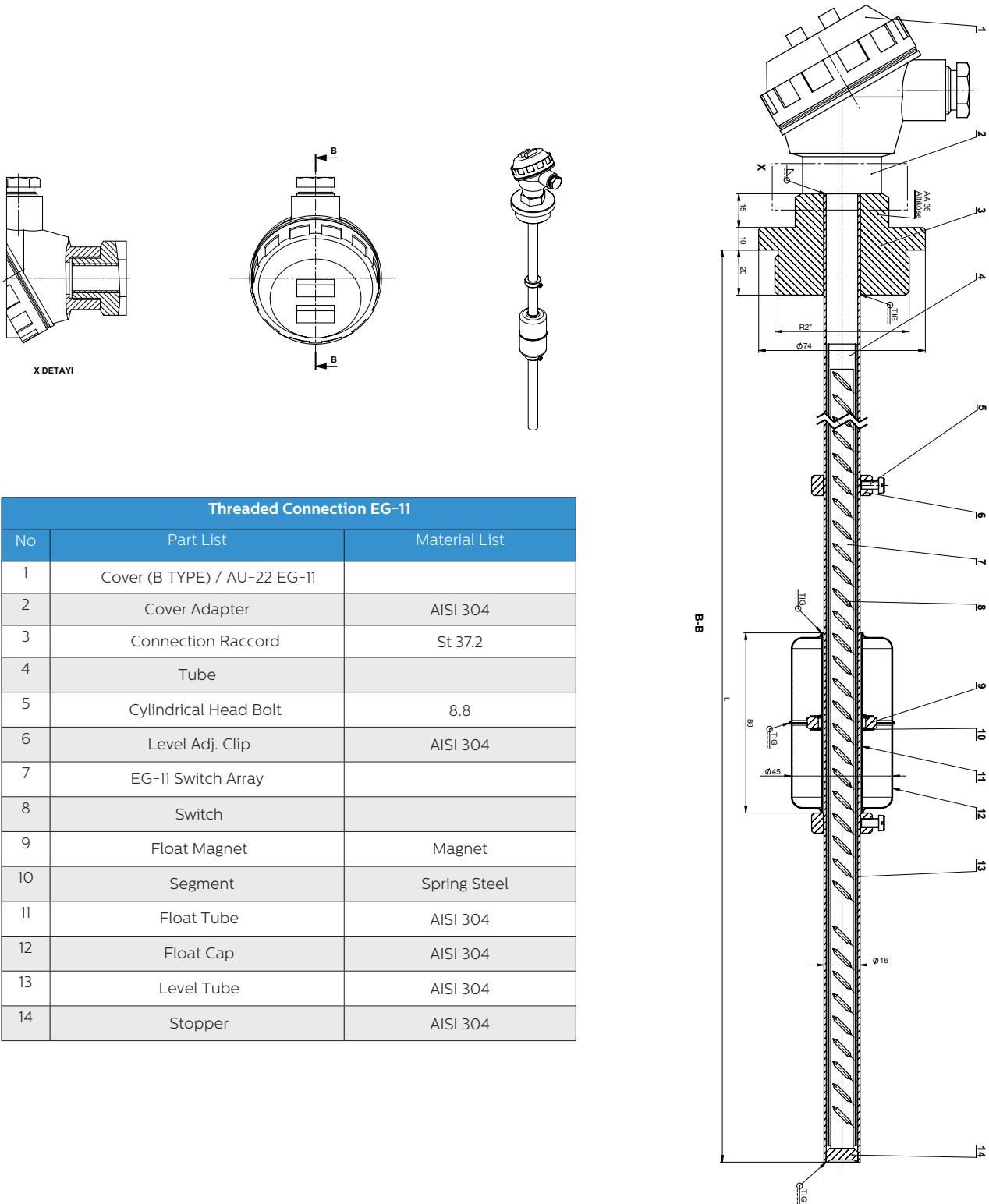
FLANGED TYPE



DN50 PN16 FLANGED EG-11		
No	Part Name	Material List
1	Cover (B TYPE) / AU-22 EG-11	
2	Cover Adapter	AISI 304
3	Connection Flanged	
4	Tube	
5	Cylindrical Head Bolt	8.8
6	Level Adj. Clip	AISI 304
7	EG-11 Switch Array	
8	Switch	
9	Float Magnet	Magnet
10	Segment	Spring Steel
11	Float Tube	AISI 304
12	Float Cap	AISI 304
13	Level Tube	AISI 304
14	Stopper	AISI 304

EG-11 LEVEL MEASUREMENT DEVICE

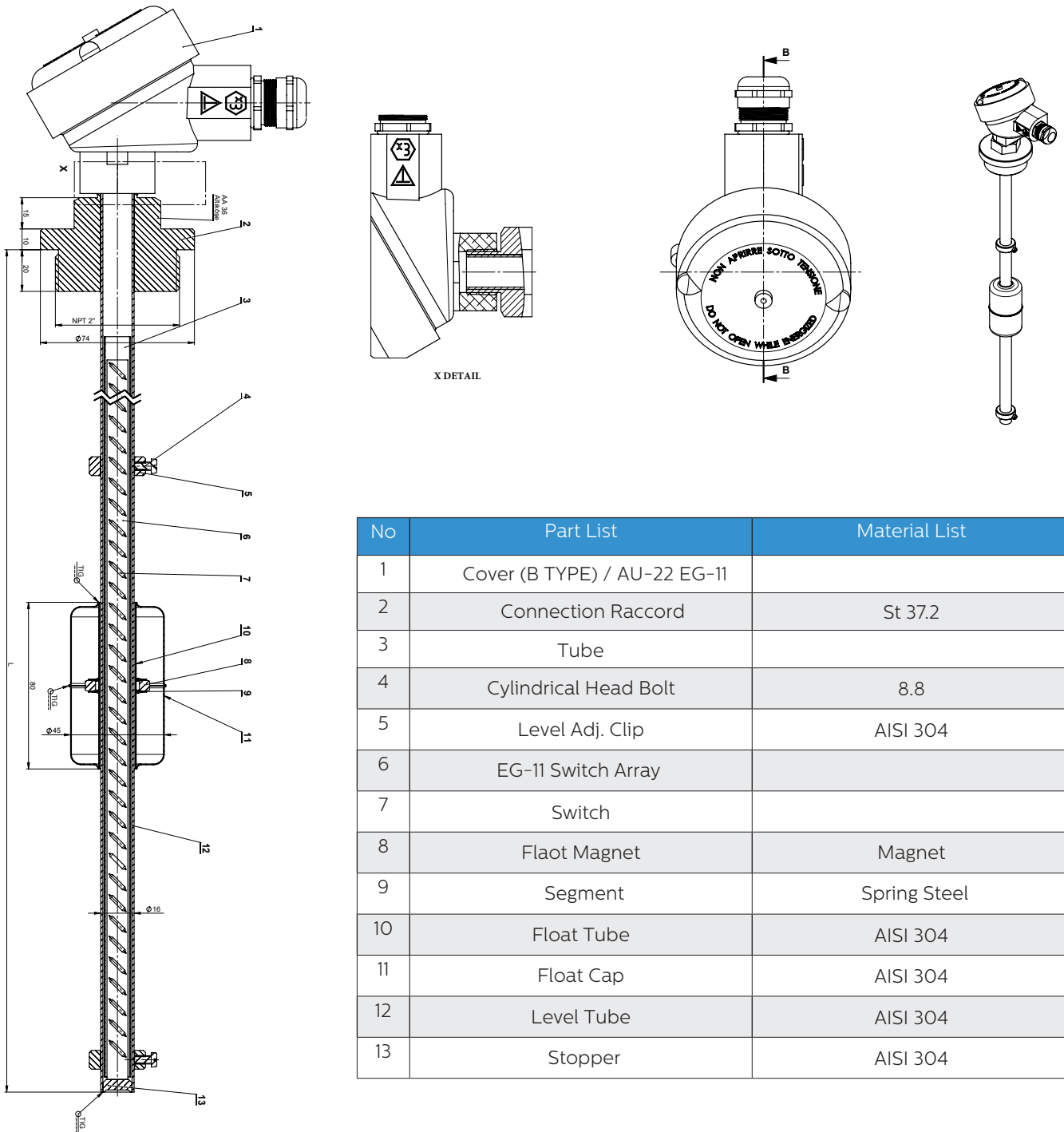
THREADED TYPE



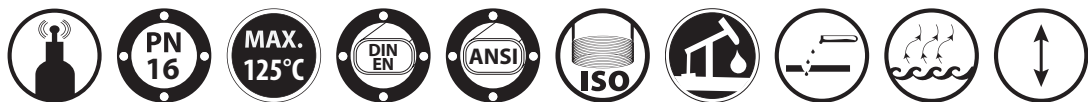
Threaded Connection EG-11		
No	Part List	Material List
1	Cover (B TYPE) / AU-22 EG-11	
2	Cover Adapter	AISI 304
3	Connection Raccord	St 37.2
4	Tube	
5	Cylindrical Head Bolt	8.8
6	Level Adj. Clip	AISI 304
7	EG-11 Switch Array	
8	Switch	
9	Float Magnet	Magnet
10	Segment	Spring Steel
11	Float Tube	AISI 304
12	Float Cap	AISI 304
13	Level Tube	AISI 304
14	Stopper	AISI 304

EG-11 LEVEL MEASUREMENT DEVICE

EXPROOF TYPE



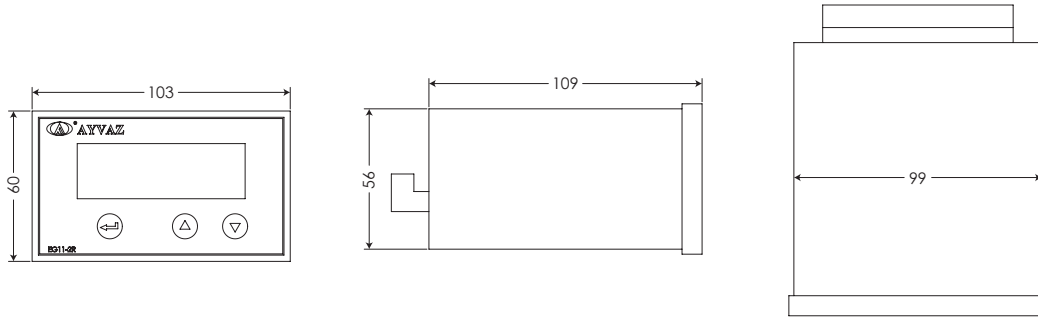
No	Part List	Material List
1	Cover (B TYPE) / AU-22 EG-11	
2	Connection Raccord	St 37.2
3	Tube	
4	Cylindrical Head Bolt	8.8
5	Level Adj. Clip	AISI 304
6	EG-11 Switch Array	
7	Switch	
8	Floot Magnet	Magnet
9	Segment	Spring Steel
10	Float Tube	AISI 304
11	Float Cap	AISI 304
12	Level Tube	AISI 304
13	Stopper	AISI 304



* Please consult our sales team for different sizes, connections, pressures and applications.

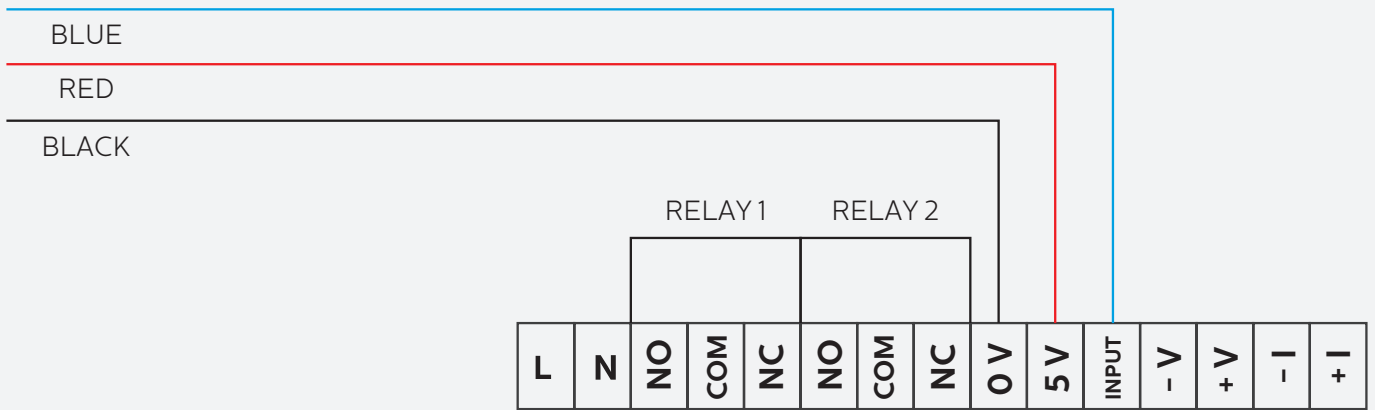


EG-11 LEVEL MEASUREMENT DEVICE

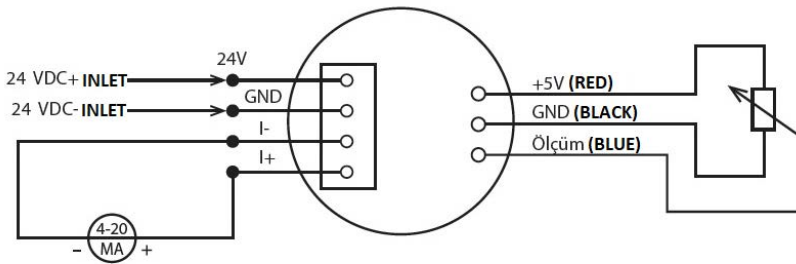


During the order phase; the voltage to be used (220V- 24V) and the system electrical connection (50-60 Hz) must be specified.

EG-11 ELECTRICAL CONNECTION SCHEME



4-20 MA CONVERTER CONNECTION



If you have a PLC system, you can use the 4-20 mA converter connection.

EG-11 LEVEL MEASUREMENT DEVICE



EG-11 LEVEL MEASUREMENT DEVICE

کنترل تک

واحد فروش ۰۲۱۶۶۴۷۹۴۸۶

واتساب استعلام ۰۹۱۲۸۴۴۸۷۶۳



HEAD OFFICE - FACTORY

Atatürk Sanayi Bölgesi Hadımköy Mahallesi Mustafa İnan Caddesi No: 44 Arnavutköy - İSTANBUL
Tel: +90 212 771 01 45 (pbx) | Fax: +90 212 771 47 27
info@ayvaz.com | www.ayvaz.com

Cona
Caserta/Italy
Tel: +39 0823 187 3988
rmolaro@ayvaz.com

Ayvaz Russia
Moscow/Russia
Tel: +74959951728
ayvazrus@ayvaz.com

Ayvaz Germany
Viernheim/Germany
Tel: +49 62046014399
germany@ayvaz.com

Ayvaz Ukraine
Kiev/Ukraine
Tel: +380 44 390 57 57
info@ayvaz.com.ua

Tricorr
Warsaw/Poland
Tel: +48-32-783-295-1
tricorr@tricorr.eu

Haci Ayvaz M.E.
Dubai/U.A.E
Tel: +971 563550822
+971 501306871
mideast@ayvaz.com

Ayvaz China
Cixi City/China
Tel: +86 0574 5897 3851
info@ayvazchina.com

Ayvaz Kazakhstan LLP
Almaty/Kazakhstan
Tel: +7 (727) 327 97 57
info_kz@ayvaz.com
www.ayvaz.kz

Ayvaz N
İsperih/Bulgaria
Tel: +359 8431 27 32
office@ayvaz-n.eu

Ayvaz Serbia
Belgrad/Serbia
Tel: +381 61 658 70 52
yakbiyik@ayvaz.com