

PNEUMATIC ACTUATOR

021 66479486

0912 8448763

فروش



021 66479486

0912 8448763

فروش





PNEUMATIC ACTUATOR PAC SERIES PNEUMATIC ACTUATOR

 Scan me

DESCRIPTION

Air actuators in general are known in the industry to be very rugged, reliable and durable. Convalve quarter turn air actuators are prelubricated and tested to a minimum one million operations. Actuators are available in double acting and spring return models. They meet international ISO 5211 standards for easy valve mounting and replacement. Position confirmation switches and valve positioners can be easily mounted to the actuator with the standard VDI/VDE-3845 top mounting pad. Rotation adjustment +/- 5% in both open and closed position. Visual position indicator will monitor the open and closed position.

FEATURES

- Rack and pinion quarter turn (90°) rotation
- Double acting and spring return models
- Prelubricated and tested to minimum 1 million operations
- Direct valve mounting per ISO5211
- Visual valve position indicator
- Extruded aluminum body with 50 micron hard anodizing
- Corrosion resistance - 500 hour minimum salt spray test
- Spring return models use pre compressed spring cartridges
- Female double square output drive
- Namur mounting pad for direct mount solenoid valves
- Standard VDI/VDE 3845 mounting for top mount accessories

APPLICATION

Convalve air actuators are typically used to operate quarter turn ball valves, butterfly valves and plug valves. They can also be applied virtually anywhere a 90 degree rotation is required such as dampers. Quick and easy to install with standard ISO5211/DIN 3337 mounting dimensions and a double square female output drive. The operating temperature range of the actuator is -20 to 80°C.

OPERATION

Double acting actuators require air pressure to open and air pressure to close. Spring return actuators require air pressure to open and utilize springs to close for failsafe operation. Typically 4-way pilot valves are used to control a double acting actuator and 3-way pilot valves for spring return models. Pilot air should be filtered, dry or lubricated. Output drive rotates counter-clockwise to open when viewed from top of actuator.

OPTIONS

- Direct mount solenoid valves
- Monitor/Position confirmation limit switches
- Electro-Pneumatic positioner 4-20m input
- Pneumatic positioners 3-15 PSI input

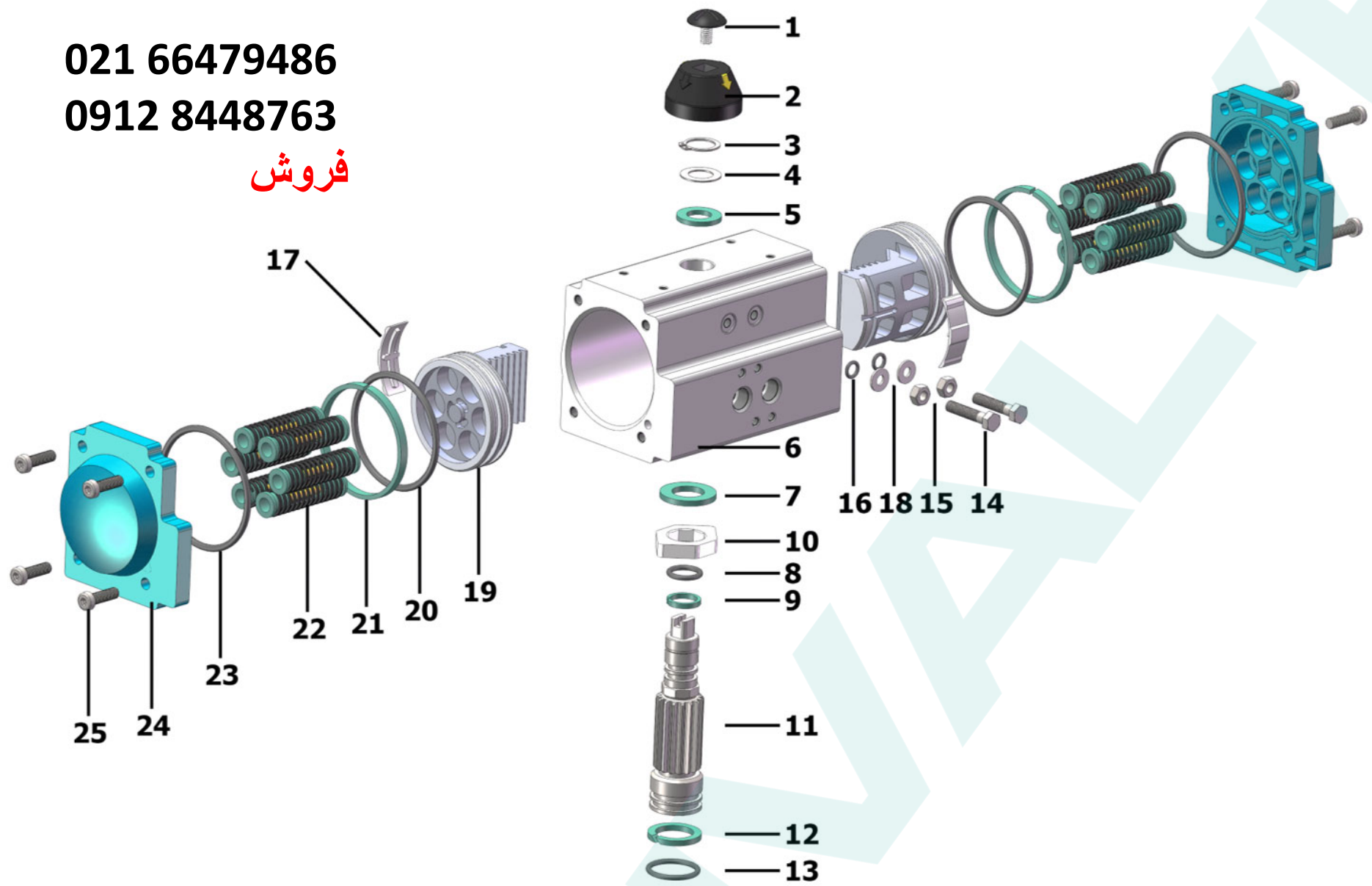
CONSTRUCTION

BODY	ASTM 6063 extruded aluminium, 50 micron anodizing
END COVERS	ASTM B179 die-cast aluminium, 60-80 micron polyester coating
DRIVE SHAFT	Carbon steel, 20 micron nickel plated
POSITION INDICATOR	Glass filled polyamide
SEALS	NBR
SPRINGS (SPRING RETURN MODEL)	Pre-compressed cartridges, 60-80 micron polyester coating
PISTONS	ASTM B179 die-casted aluminium alloy 15 micron anodizing
PILOT AIR CONNECTION	1/4" BSP plus standard Namur solenoid mounting pad
FASTENERS	304 stainless steel

021 66479486

0912 8448763

فروش

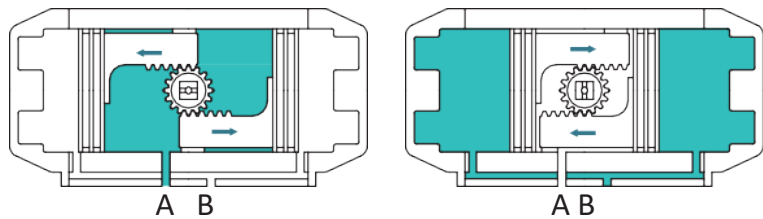


NO.	PART NAME	QTY	STANDARD MATERIAL	PROTECTION	OPTIONAL MATERIAL
1	Cap screw (Indicator)	1	Stainless steel(304)		
2	Position indicator	1	Polyoxymethylene		
3	Spring clip (Pinion)	1	Stainless steel(304)		
4	Thrust washer	1	Stainless steel(304)		
5	Thrust bearing (Pinion)	1	Polyoxymethylene		
6	Body	1	Extruded aluminum alloy(6005-T5)	Hard anodized and polished *	
7	Thrust bearing (Pinion)	1	Polyoxymethylene		
8	O-ring (Pinion top)	1	NBR		FPM/Silicone
9	Bearing (Pinion top)	1	Polyoxymethylene		
10	OCTI Cam (Stop arrangement)	1	Alloy steel(45#)		
11	Pinion	1	Alloy steel(45#)	Nickel plated	Stainless steel
12	Bearing (Pinion bottom)	1	Polyoxymethylene		
13	O-ring (Pinion bottom)	1	NBR		FPM/Silicone
14	Adjust screw	2	Stainless steel(304)		
15	Nut (Adjust screw)	2	Stainless steel(304)		
16	O-ring (Adjust screw)	2	NBR		FPM/Silicone
17	Plate (Piston)	2	Polyoxymethylene		
18	Washer (Adjust screw)	2	Stainless steel(304)		
19	Piston	2	Cast aluminum/casting(101A)	Anodized	Stainless steel
20	O-ring (Piston)	2	NBR		FPM/Silicone
21	Bearing (Piston)	2	Polyoxymethylene		
22	Spring	0~12	Spring steel	Dip coating	
23	O-ring (End cap)	2	NBR		FPM/Silicone
24	End cap	2	Cast aluminum(ADC12)	Powder polyester painted etc	
25	Cap screw	8	Stainless steel(304)		

OPERATING PRINCIPLE

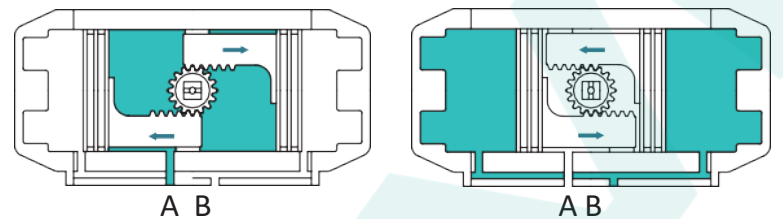
PRINCIPLE OF DOUBLE ACTING ACTUATORS

Standard rotation (CCW)



Top View

Reverse rotation (CW)

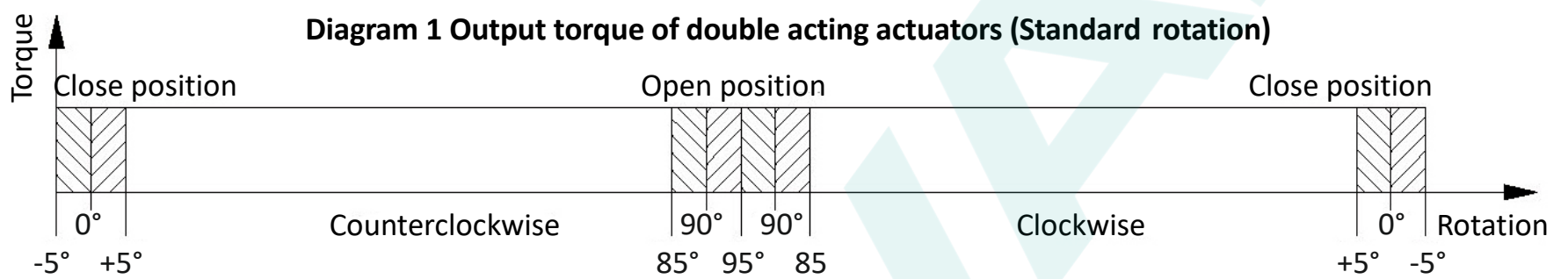


Air to Port A forces the pistons outwards, causing the pinion to turn counterclockwise while the air is being exhausted from Port B.

Air to Port B forces the pistons inwards, causing the pinion to turn clockwise while the air is being exhausted from Port A.

Air to Port A forces the pistons outwards, causing the pinion to turn clockwise while the air is being exhausted from Port B.

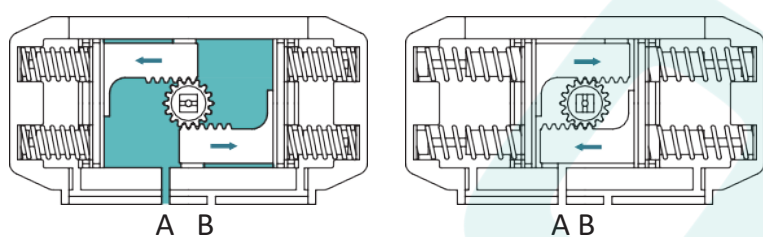
Air to Port B forces the pistons inwards, causing the pinion to turn counterclockwise while the air is being exhausted from Port A.



With reference to diagram 1, it can be noticed that the double acting pneumatic actuator has constant torque over the whole stroke.

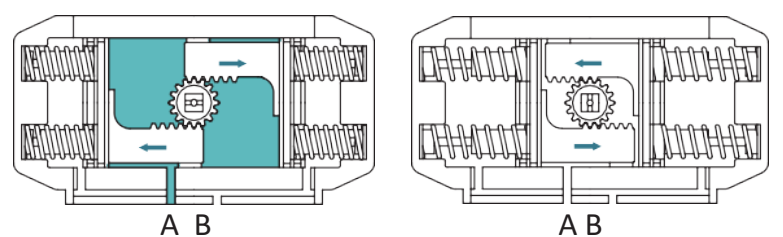
PRINCIPLE OF SPRING RETURN ACTUATORS

Standard rotation (CCW)



Top View

Reverse rotation (CW)

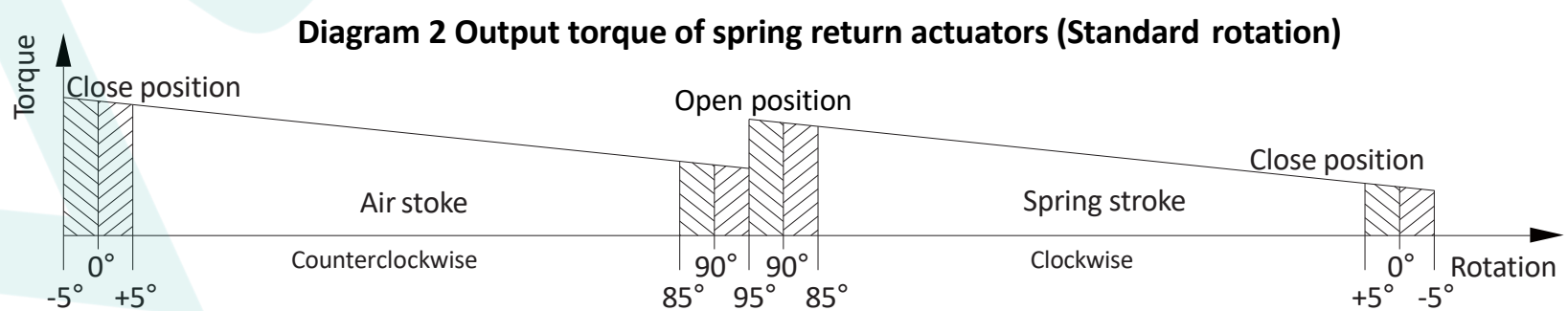


Air to port A forces the pistons outwards, causing the springs to compress, The pinion turns counterclockwise while air is being exhausted from port B.

Loss of air pressure on port A, the stored energy in the springs forces the pistons inwards. The pinion turns clockwise while air is being exhausted from port A.

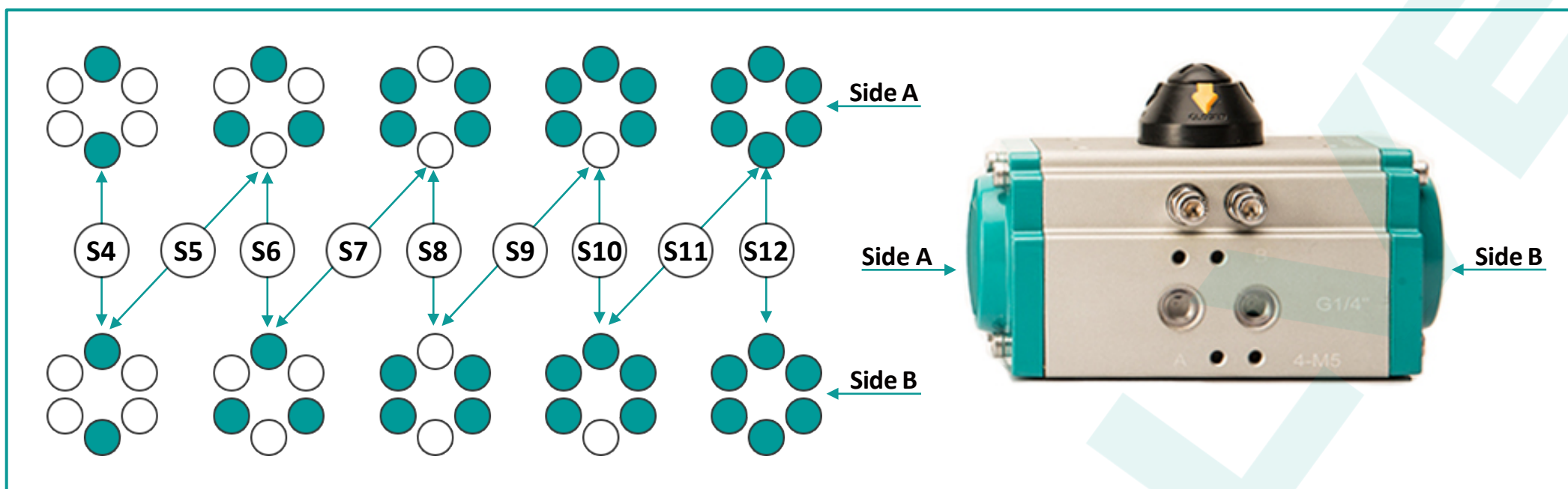
Air to port B forces the pistons outwards, causing the springs to compress, The pinion turns counterclockwise while air is being exhausted from port B.

Loss of air pressure on port A, the stored energy in the springs forces the pistons inwards. The pinion turns clockwise while air is being exhausted from port A.



With reference to diagram 2, we can see that the output torque of spring return actuator is not constant but decreasing. This is because of the acting of springs that when compressed during air stroke counteract the piston movement and accumulate energy which will be available in a decreasing way during the rotation inversion.

OUTPUT TORQUE



AIR CONSUMPTION AND OPENING AND CLOSING TIME

MODEL		PAC32	PAC40	PAC52	PAC63	PAC75	PAC83	PAC92	PAC105	PAC125	
CYLINDER AIR VOLUME (L)	OPEN	0.04	0.08	0.1	0.2	0.3	0.5	0.7	1.2	1.5	
	CLOSE	0.05	0.11	0.2	0.3	0.5	0.8	1.1	1.8	2.3	
OPENING & CLOSING TIME (SECOND)	DA	OPEN	0.1	0.1	0.2	0.3	0.3	0.4	0.5	0.7	0.9
		CLOSE	0.1	0.1	0.2	0.3	0.4	0.5	0.6	0.8	1.1
	SR	OPEN	-	-	0.3	0.3	0.4	0.5	0.7	0.9	1.2
		CLOSE	-	-	0.3	0.4	0.5	0.6	0.9	1.1	1.4
MODEL		PAC140	PAC160	PAC190	PAC210	PAC240	PAC270	PAC300	PAC350	PAC400	
CYLINDER AIR VOLUME (L)	OPEN	2.4	3.1	4.3	5.8	10.0	14.5	23.8	35.1	52.6	
	CLOSE	3.8	4.9	6.9	9.5	15.2	21.4	29.7	46.3	69.4	
OPENING & CLOSING TIME (SECOND)	DA	OPEN	1.2	1.5	2.0	2.7	3.5	4.0	8.0	10.0	10.0
		CLOSE	1.4	1.7	2.2	3.2	4.0	4.5	10.0	12.0	13.0
	SR	OPEN	1.5	1.8	2.4	3.5	4.1	4.5	7.0	8.0	8.0
		CLOSE	1.8	2.1	2.8	4.0	4.6	5.0	8.0	9.0	9.0

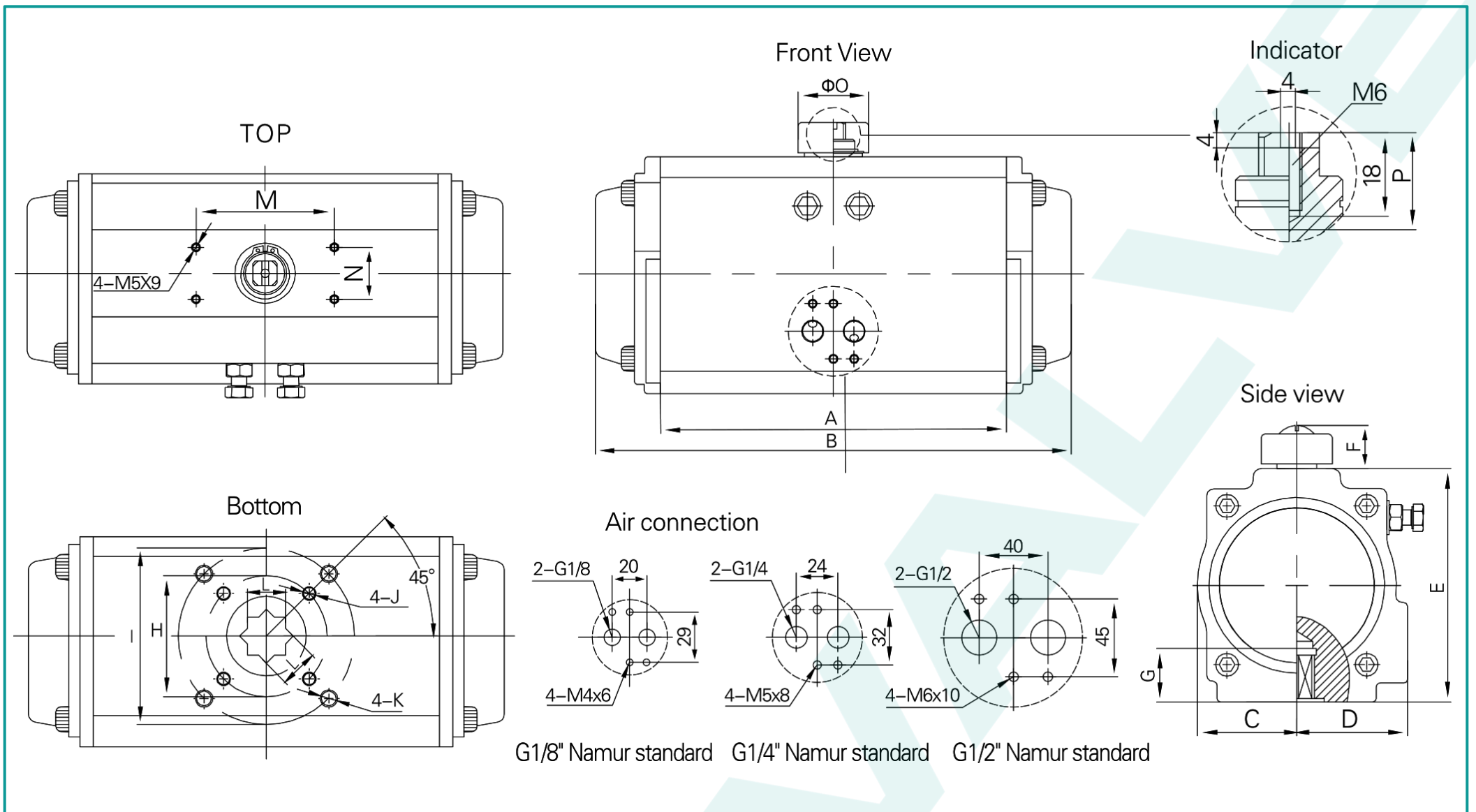
DOUBLE ACTING ACTUATOR OUTPUT TORQUE (UNIT : NM)

MODEL	INPUT AIR SUPPLY PRESSURE (UNIT : BAR)							
	2	3	4	5	6	7	8	
PAC32DA	3	5	6	8	9	11	12	
PAC40DA	4,8	7,2	9,6	12	14,4	16,8	19,2	
PAC52DA	8,5	12,7	17	21,2	25,5	29,7	34	
PAC63DA	15	22,5	30	37,5	44,9	52,4	59,7	
PAC75DA	21	31,8	42,4	53	63,6	74,2	84,8	
PAC83DA	32,5	48,7	65	81,2	97,4	113,7	130	
PAC92DA	46,5	69,8	93	116,3	140	162,9	186	
PAC105DA	69,3	104	138,5	173,2	207,8	242,5	277	
PAC125DA	108	162	216	270	324	378	432	
PAC140DA	184,7	277	369,5	461,8	554	646,5	739	
PAC160DA	281,5	422	563	704	844	985	1126	
PAC190DA	453	680	907	1135	1361	1587	1814	
PAC210DA	554	831	1108	1384	1662	1939	2216	
PAC240DA	814	1221	1628	2035	2442	2849	3256	
PAC270DA	1236	1854	2472	3090	3708	4326	4944	

SPRING RETURN ACTUATOR OUTPUT TORQUE (UNIT : NM)

AIR SUPPLY PRESSURE		3 BAR		4 BAR		5 BAR		6 BAR		7 BAR		8 BAR		OUTPUT TORQUE SPRING	
MODEL	SPRING QTY	0° START	90° END	0° START	90° END	0° START	90° END	0° START	90° END	0° START	90° END	0° START	90° END	0° START	90° END
PAC52SR	12	/	/	/	/	11.8	8.3	16	12.5	20.3	16.8	24.5	21	13	9.5
PAC63SR	12	/	/	/	/	21.1	13.5	28.6	21.0	36.1	28.5	43.6	36	23.9	16.3
PAC75SR	12	/	/	/	/	37.5	24.7	49.9	37.1	62.2	49.5	74.6	61.8	37.1	24.4
PAC83DR	12	/	/	/	/	45.5	29.5	61.8	45.8	78	62	94.2	78.2	51.6	35.6
PAC92SR	12	/	/	/	/	64	43.7	87.3	66.9	110.6	90.2	133.8	113.5	72.7	52.3
PAC105SR	12	/	/	/	/	78.9	62.4	113.5	97	148.1	131.6	182.8	166.3	110.8	94.3
PAC125SR	12	/	/	/	/	179	115	241	177	302	238	363	299	191	127
PAC140SR	12	/	/	/	/	248	142	341	234	433	327	525	419	320	214
PAC160SR	12	/	/	/	/	377	222	518	363	659	504	800	645	481	326
PAC190SR	12	/	/	/	/	577	297	804	524	1031	751	1258	978	837	557
PAC210SR	12	/	/	/	/	846	438	1158	750	1469	1062	1781	1373	1121	713
PAC240SR	12	/	/	/	/	1236	524	1725	1013	2213	1501	2702	1990	1919	1207
PAC270SR	12	/	/	/	/	1923	956	2610	1643	3297	2330	3985	3017	2480	1512

DIMENSION MM



G1/8" Namur standard G1/4" Namur standard G1/2" Namur standard

MODEL		A	B	C	D	E	F	G	H	I	J	K	L	M	N	ØO	P	AIR SUPPLY	WEIGHT (KG)
PAC32	DA	90	112	23.5	23.5	45	26	12	F03	-	4-M5x8	-	9x9	50	30	34	20	G1/8	0.55
	SR																		-
PAC40	DA	93	123	23.5	33	60	26	12	F03	F05	4-M5x8	4-M6x10	11x11	50	30	34	20	G1/8	0.66
	SR																		-
PAC52	DA	108	145	30	41	72	26	15	F03	F05	4-M5x8	4-M6x10	11x11	80	30	34	20	G1/4	1.2
	SR																		1.3
PAC63	DA	125	169	46	46	89	26	15	F05	F07	4-M6x10	4-M8x12	14x14	80	30	34	20	G1/4	1.9
	SR																		2.1
PAC75	DA	128	201	42	52	100	26	15	F05	F07	4-M6x10	4-M8x12	14x14	80	30	34	20	G1/4	2.8
	SR																		3.1
PAC83	DA	147	209	46	55	109	26	15	F05	F07	4-M6x10	4-M8x12	17x17	80	30	34	20	G1/4	3.2
	SR																		3.7
PAC92	DA	168	242	51	57.5	117	26	20	F07	F10	4-M6x10	4-M8x12	17x17	80	30	41	20	G1/4	4.6
	SR																		5.2
PAC105	DA	186	275	58	64	134	26	25	F07	F10	4-M8x12	4-M10x16	22x22	80	30	41	20	G1/4	6.1
	SR																		7.1
PAC125	DA	207	332	67.5	70	157	36	25	F07	F10	4-M8x12	4-M10x16	22x22	80	30	62	30	G1/4	9.5
	SR																		10.9
PAC140	DA	268	400	76	77	174	36	30	F10	F12	4-M10x16	4-M12x20	27x27	130	30	62	30	G1/4	13.7
	SR																		15.7
PAC160	DA	308	455	87.5	87.5	199	38	30	F10	F12	4-M10x16	4-M12x20	27x27	130	30	62	30	G1/4	20.5
	SR																		23.6
PAC190	DA	390	507	103	103	232	38	40	-	F12	-	4-M12x20	36x36	130	30	79	30	G1/4	31.1
	SR																		35.3
PAC210	DA	390	562	113	113	257	38	40	-	F12	-	4-M12x20	36x36	130	30	79	30	G1/4	41.8
	SR																		46.6
PAC240	DA	430	646	129	129	293	38	52	-	F16	-	4-M20x24	46x46	130	30	79	30	G1/4	62.4
	SR																		72.4
PAC270	DA	510	722	146	146	333	38	52	-	F16	-	4-M20x24	46x46	130	30	79	30	G1/4	86.3
	SR																		98.3
PAC300	DA	579	825	162	173	354	38	52	-	F16	-	4-M20x24	46x46	130	30	79	30	G1/2	103
	SR																		143
PAC350	DA	580	866	190	195	410	38	52	-	F16	-	4-M20x24	46x46	130	30	79	30	G1/2	144
	SR																		188
PAC400	DA	-	924	258	258	464	38	60	-	F25	-	8-M16X24	55X55	130	30	79	30	G1/2	289
	SR																		360

ORDER INFO

NO	SKU	PRODUCT	SIZE
1	400427	PAC SERIES PNEUMATIC ACTUATOR DOUBLE ACTING	32
2	400428	PAC SERIES PNEUMATIC ACTUATOR DOUBLE ACTING	40
3	400429	PAC SERIES PNEUMATIC ACTUATOR DOUBLE ACTING	52
4	400430	PAC SERIES PNEUMATIC ACTUATOR DOUBLE ACTING	63
5	400431	PAC SERIES PNEUMATIC ACTUATOR DOUBLE ACTING	75
6	400432	PAC SERIES PNEUMATIC ACTUATOR DOUBLE ACTING	83
7	400433	PAC SERIES PNEUMATIC ACTUATOR DOUBLE ACTING	92
8	400434	PAC SERIES PNEUMATIC ACTUATOR DOUBLE ACTING	105
9	400435	PAC SERIES PNEUMATIC ACTUATOR DOUBLE ACTING	125
10	400436	PAC SERIES PNEUMATIC ACTUATOR DOUBLE ACTING	140
11	400437	PAC SERIES PNEUMATIC ACTUATOR DOUBLE ACTING	160
12	400438	PAC SERIES PNEUMATIC ACTUATOR DOUBLE ACTING	190
13	400439	PAC SERIES PNEUMATIC ACTUATOR DOUBLE ACTING	210
14	400440	PAC SERIES PNEUMATIC ACTUATOR DOUBLE ACTING	240
15	400441	PAC SERIES PNEUMATIC ACTUATOR DOUBLE ACTING	270
16	400444	PAC SERIES PNEUMATIC ACTUATOR SPRING RETURN	52
17	400445	PAC SERIES PNEUMATIC ACTUATOR SPRING RETURN	63
18	400446	PAC SERIES PNEUMATIC ACTUATOR SPRING RETURN	75
19	400447	PAC SERIES PNEUMATIC ACTUATOR SPRING RETURN	83
20	400448	PAC SERIES PNEUMATIC ACTUATOR SPRING RETURN	92
21	400449	PAC SERIES PNEUMATIC ACTUATOR SPRING RETURN	105
22	400450	PAC SERIES PNEUMATIC ACTUATOR SPRING RETURN	125
23	400451	PAC SERIES PNEUMATIC ACTUATOR SPRING RETURN	140
24	400452	PAC SERIES PNEUMATIC ACTUATOR SPRING RETURN	160
25	400453	PAC SERIES PNEUMATIC ACTUATOR SPRING RETURN	190
26	400454	PAC SERIES PNEUMATIC ACTUATOR SPRING RETURN	210
27	400455	PAC SERIES PNEUMATIC ACTUATOR SPRING RETURN	240
28	400456	PAC SERIES PNEUMATIC ACTUATOR SPRING RETURN	270

Note: If you have any question, the best way to quickly reach us is by email! Our customer support email is info@convolve.eu All emails are responded promptly, often within minutes during the working hours, and within hours during the weekends. If you sent us an email, and did not receive a reply, then you probably should check your email's spam folder! Please adjust your junk mail settings, and make sure to mark our emails as "not spam" to help future messages get through.

021 66479486

0912 8448763

فروش