



02166479486

0912 8448763

0919 0345384

تماس 24 ساعته حتی تعطیلات

Bimetal thermometer Model 52, industrial series

Mechanical
temperature measurement

WIKA data sheet TM 52.01



for further approvals
see page 6

Applications

- A wide range of applications in machine building, vessel, piping and apparatus construction
- Heating technology

Special features

- Scale ranges from -30 ... +500 °C
- Large choice of nominal sizes from 25 ... 160 mm
- Case and stem from stainless steel
- 5 different connection designs



Fig. left: model A52.100, back mount

Fig. right: model R52.100, lower mount

Description

The model 52 bimetal thermometer is the entry-level model among process thermometers. The target markets of this thermometer are air-conditioning and machine building.

Model 52 is manufactured in accordance with EN 13190 and already offers a stainless steel case and accuracy class 1 for nominal sizes > 60 mm.

Especially noteworthy is the large number of stem lengths and nominal sizes. This enables the individual adaptation to the target applications.

تماس 24 ساعته حتی تعطیلات

Tel ۰۲۱ ۶۶۴۷ ۹۴۸۶

مدیریت ۰۹۱۲ ۸۴۴ ۸۷۶۳

شبکه های مجازی / ارسال استعلام ۰۹۳۵ ۴۴ ۷۹ ۱۱۰

تلگرام / سروش @ Controltak

Fax ۰۲۱ ۸۹۷۷ ۹۳۷۳

www.Controltak.com

Controltak@chmail.ir

Controltak@gmail.com

اینستاگرام Control-Tak

Standard version

Measuring element

Bimetal coil

Nominal size in mm

25, 33, 40, 50, 63, 80, 100, 160

Connection designs

S Standard (male threaded connection)

1 Plain stem (without thread)

2 Male nut ¹⁾

3 Union nut ¹⁾

4 Compression fitting (sliding on stem) ¹⁾

¹⁾ Not for NS 25, 33, 40, 50

Model overview

Model	NS	Design
A52.025	25	Back mount (axial)
A52.033	33	
A52.040	40	
A52.050	50	
A52.063	63	
A52.080	80	
A52.100	100	
A52.160	160	
R52.063	63	Lower mount (radial)
R52.080	80	
R52.100	100	
R52.160	160	

Accuracy class

NS 25, 33: ± 5 % of scale range

NS 40, 50: 2 per EN 13190

NS 63, 80, 100, 160: 1 per EN 13190

Working range

Continuous loading: Measuring range per EN 13190

Short time (24 h max.): Scale range per EN 13190

Case, bezel ring, stem, process connection and spacer

Stainless steel

Elbow behind the case

Aluminium, only with lower mount version

Dial

Aluminium, white, black lettering

Window

Instrument glass

NS 33: polycarbonate

Pointer

NS 25, 33, 40: Aluminium, black

NS 50, 63, 80, 100, 160: Aluminium, black, adjustable pointer

Permissible operating pressure at the stem

NS 25, 33, 40, 50: max. 6 bar, static

NS 63, 80, 100, 160: max. 25 bar, static

Ingress protection

NS 25, 33, 40: IP54 per EN 60529 / IEC 529

NS 50, 63, 80, 100, 160: IP43 per EN 60529 / IEC 529

Options

- Scale range °F, °C/°F (dual scale)
- Other scale ranges
- Other connection types

تماس 24 ساعته حتی تعطیلات

Tel ۰۲۱ ۶۶۴۷ ۹۴۸۶

مدیریت ۰۹۱۲ ۸۴۴ ۸۷۶۳

شبکه های مجازی / ارسال استعلام ۰۹۳۵ ۴۴ ۷۹ ۱۱۰

تلگرام / سروش @ Controltak

Fax ۰۲۱ ۸۹۷۷ ۹۳۷۳

www.Controltak.com

Controltak@chmail.ir

Controltak@gmail.com

اینستاگرام Control-Tak

**Scale ranges, measuring ranges ²⁾, error limit (EN 13190)
Scale graduation per WIKA standard**

Scale range in °C	Measuring range in °C	Scale spacing in °C		Error limit ± °C	
		up to NS 63	from NS 80	up to NS 50	from NS 63
-30 ... +50	-20 ... +40	1	1	2	1
-20 ... +60	-10 ... +50	1	1	2	1
0 ... 60	10 ... 50	1	1	2	1
0 ... 80	10 ... 70	1	1	2	1
0 ... 100	10 ... 90	2	1	2	1
0 ... 120	10 ... 110	2	1	4	2
0 ... 160	20 ... 140	2	2	4	2
0 ... 200 ³⁾	20 ... 180	5	2	4	2
0 ... 250 ³⁾	30 ... 220	5	2	5	2.5
0 ... 300 ⁴⁾	30 ... 270	5	2	-	5
0 ... 400 ⁴⁾	50 ... 350	5	5	-	5
0 ... 500 ⁴⁾	50 ... 450	5	5	-	5

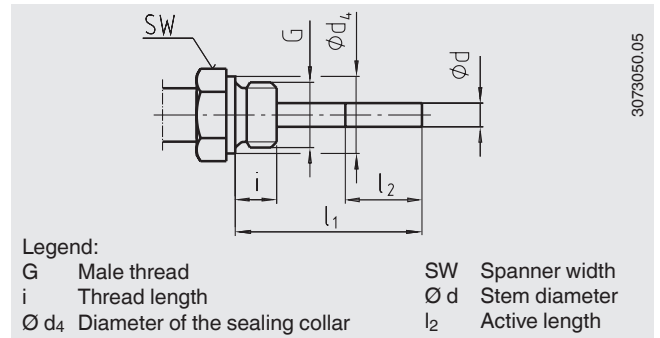
2) The limits of the measuring range are indicated on the dial by two triangular marks.
Only within this range is the stated error limit valid per EN 13190.
3) Not for NS 33
4) Not for NS 25 to NS 50

Connection designs

Standard design (male thread connection)

Standard insertion length $l_1 = 63, 100, 160, 200, 250$ mm

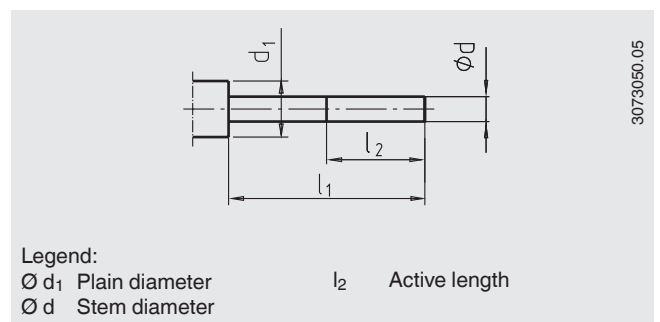
Nominal size	Process connection		Dimensions in mm		
	G	i	SW	$\varnothing d_4$	$\varnothing d$
25, 33	M8 x 1.25	8	12	-	4
	G 1/8 B	8	12	-	4
	G 1/4 B	8	17	-	4
40, 50	M8 x 1.25	8	12	-	4
	G 1/8 B	8	17	-	4
	G 1/4 B	8	17	-	4
	G 1/2 B	12	22	-	4
63, 80, 100, 160	G 1/4 B	12	19	18	6 or 8
	G 1/2 B	14	27	26	6 or 8
	M18 x 1.5	12	24	23	6 or 8
	1/2 NPT	19	22	-	6 or 8



Design 1, plain stem (without thread)

Standard insertion length $l_1 = 45, 63, 100, 140, 160, 200, 240, 290$ mm

Nominal size	Dimensions in mm	
NS	d ₁	Ø d
25, 33	8	4
40, 50	12	4
63, 80, 100, 160	18	6 or 8



تماس 24 ساعته حتی تعطیلات

Tel ۰۲۱ ۶۶۴۷ ۹۴۸۶

مدیریت ۰۹۱۲ ۸۴۴ ۸۷۶۳

شبکه های مجازی / ارسال استعلام ۰۹۳۵ ۴۴ ۷۹ ۱۱۰

تلگرام / سروش @ControItak

Fax ۰۲۱ ۸۹۷۷ ۹۳۷۳

www.ControItak.com

ControItak@chmail.ir

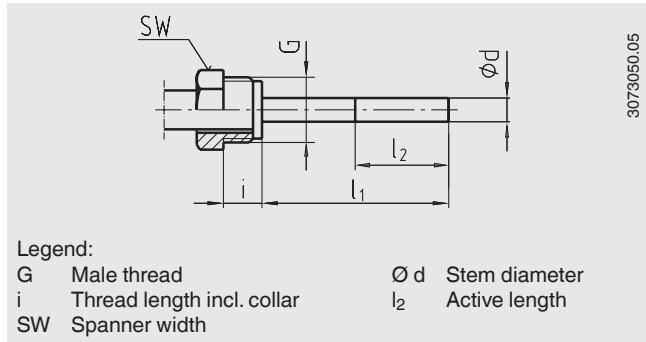
ControItak@gmail.com

اینستاگرام Control-Tak

Design 2, male nut

Standard insertion length $l_1 = 80, 140, 180, 230$ mm

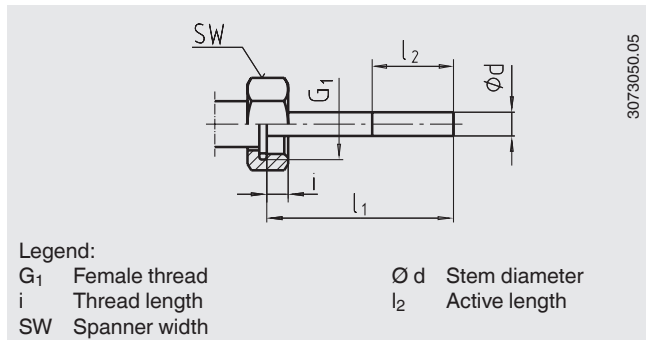
Nominal size	Process connection		Dimensions in mm		
	G	i	SW	$\varnothing d$	
63, 80, 100, 160	G 1/2 B	20	27	6 or 8	
	M18 x 1.5	17	22	6 or 8	



Design 3, union nut

Standard insertion length $l_1 = 89, 126, 186, 226, 276$ mm

Nominal size	Process connection		Dimensions in mm		
	G	i	SW	$\varnothing d$	
63, 80, 100, 160	G 1/2	8.5	27	6 or 8	
	G 3/4	9.5	32	6 or 8	

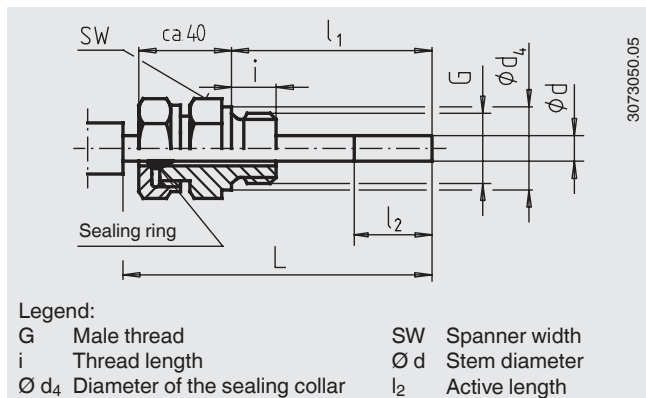


Design 4, compression fitting (sliding on stem)

Insertion length $l_1 =$ variable

Length $L = l_1 + 40$ mm

Nominal size	Process connection		Dimensions in mm		
	G	i	SW	$\varnothing d_4$	$\varnothing d$
63, 80, 100, 160	G 1/4 B	8	22	18	6 or 8
	G 1/2 B	14	27	26	6 or 8
	M18 x 1.5	12	24	23	6 or 8
	1/2 NPT	19	22	-	6 or 8
	G 3/4 B	16	32	32	6 or 8
	3/4 NPT	20	30	30	6 or 8



تماس 24 ساعته حتی تعطیلات

Tel ۰۲۱ ۶۶۴۷ ۹۴۸۶

Fax ۰۲۱ ۸۹۷۷ ۹۳۷۳

مدیریت ۰۹۱۲ ۸۴۴ ۸۷۶۳

www.Controltak.com

شبكة های مجازی / ارسال استعلام ۰۹۳۵ ۴۴ ۷۹ ۱۱۰

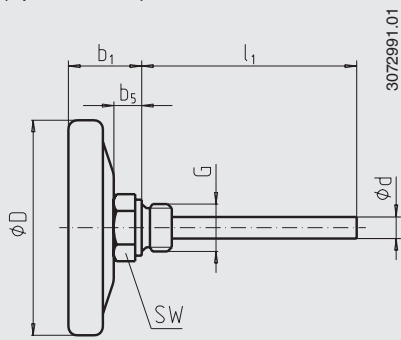
Controltak@chmail.ir Controltak@gmail.com

تلگرام / سروش @Controltak

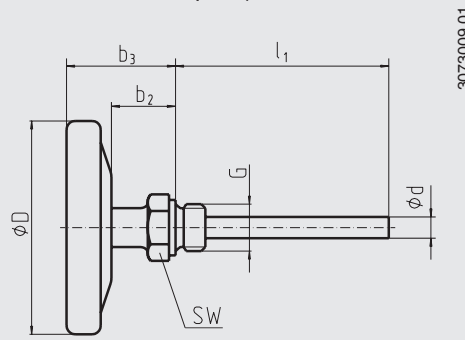
اینستاگرام Control-Tak

Dimensions in mm

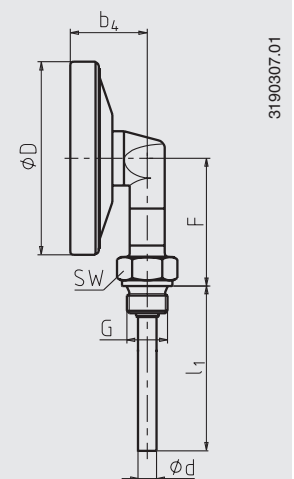
Back mount (BM) (up to 250 °C)



Back mount with spacer (from 300 °C or on request)



Lower mount (LM)



NS	Dimensions in mm							Weight in kg		
	b ₁	b ₂	b ₃	b ₄	b ₅	Ø D	F	R	RD	U
25	16	-	-	-	6	25	-	0.035	-	-
33	16	-	-	-	6	33	-	0.040	-	-
40	21	-	-	-	8	40	-	0.050	-	-
50	21	-	-	-	8	50	-	0.060	-	-
63	29	30 ¹⁾	46	34	13	63	47	0.160	0.200	0.220
80	30	30 ¹⁾	47	36	13	80	56	0.200	0.240	0.270
100	35	30 ¹⁾	52	40	13	100	66	0.250	0.290	0.330
160	39	30 ¹⁾	57	42,5	13	160	96	0.450	0.490	0.560

1) from 300 °C or on request
R Back mount (BM)
RD Back mount with spacer
U Lower mount (LM)

Thermowell

In principle, the operation of a mechanical thermometer without a thermowell with low process-side loading (low pressure, low viscosity and low flow velocities) is possible.

However, in order to enable exchanging the thermometer during operation (e.g. instrument replacement or calibration) and to ensure a better protection of the instrument and also the plant and the environment, it is advisable to use a thermowell from the extensive WIKA thermowell portfolio.

For further information on the calculation of the thermowell, see Technical information IN 00.15.

تماس 24 ساعته حتی تعطیلات

Tel +۹۸ ۰۲۱ ۶۶۴۷ ۹۴۸۶

Fax +۹۸ ۰۲۱ ۸۹۷۷ ۹۳۷۳

مدیریت ۰۹۱۲ ۸۴۴ ۸۷۶۳

www.ControItak.com


شبکه های مجازی / ارسال استعلام ۰۹۳۵ ۴۴ ۷۹ ۱۱۰

ControItak@chmail.ir ControItak@gmail.com

تلگرام / سروش @ControItak

اینستاگرام Control-Tak

Approvals

Logo	Description	Country
	GOST (option) Metrology, measurement technology	Russia
-	CRN (option) Safety (e.g. electr. safety, overpressure, ...)	Canada

Certificates (option)

2.2 test report

Approvals and certificates, see website

تماس 24 ساعته حتی تعطیلات

Tel ۰۲۱ ۶۶۴۷ ۹۴۸۶ مدیریت ۰۹۱۲ ۸۴۴ ۸۷۶۳ شبکه های مجازی / ارسال استعلام ۰۹۳۵ ۴۴ ۷۹ ۱۱۰ تلگرام / سروش @ Controltak
Fax ۰۲۱ ۸۹۷۷ ۹۳۷۳ www.Controltak.com Controltak@chmail.ir Controltak@gmail.com اینستاگرام Control-Tak

Ordering information

Model / Connection design / Scale range / Process connection / Stem diameter, material / Insertion length / Options

© 2004 WIKA Alexander Wiegand SE & Co. KG, all rights reserved.
The specifications given in this document represent the state of engineering at the time of publishing.
We reserve the right to make modifications to the specifications and materials.



WIKAL Alexander Wiegand SE & Co. KG
Alexander-Wiegand-Straße 30
63911 Klingenberg/Germany
Tel. +49 9372 132-0
Fax +49 9372 132-406
info@wika.de
www.wika.de