

CONVALVE

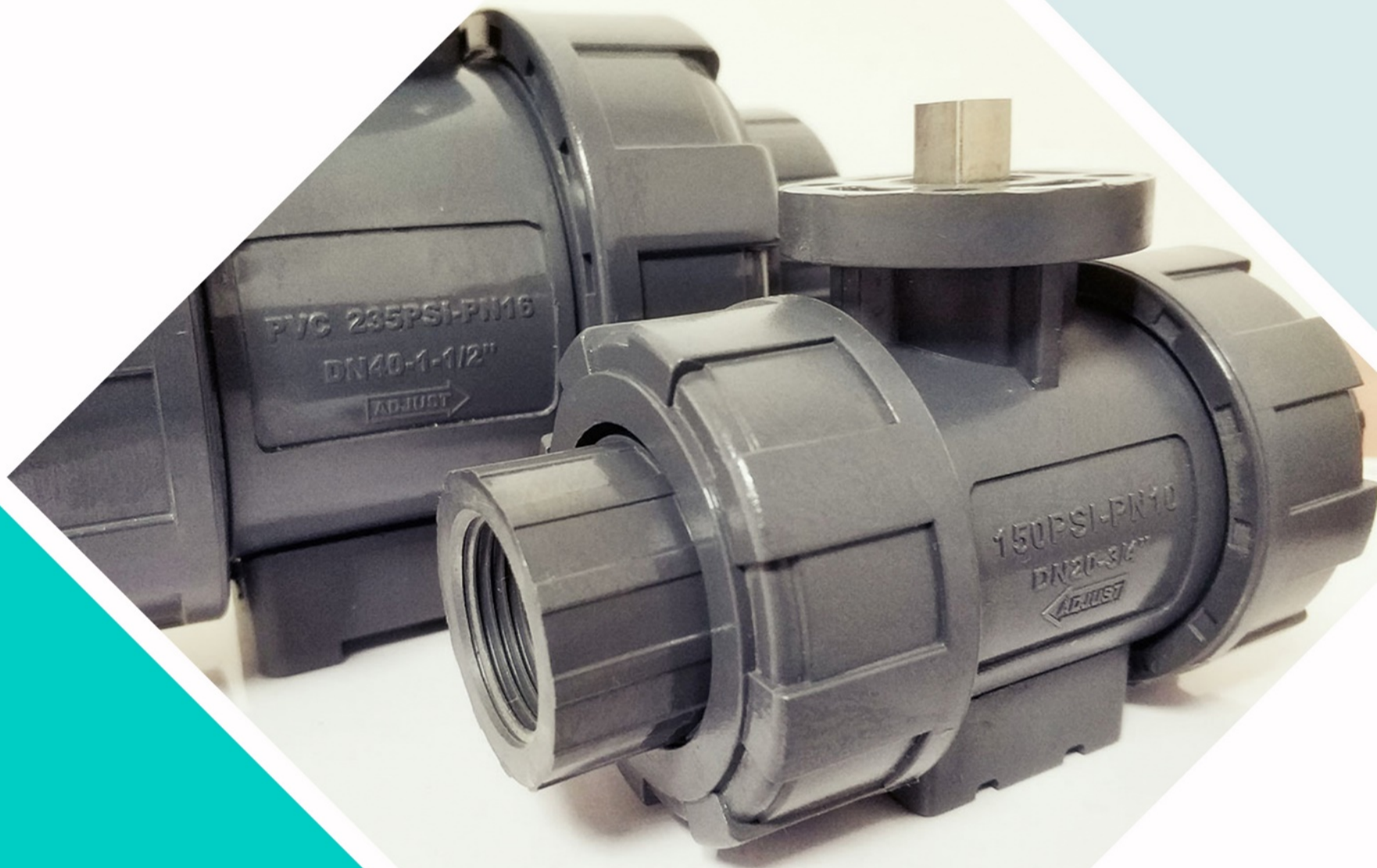
SPECIALIST IN VALVE AUTOMATION

U-PVC TOP FLANGE BALL VALVE

021 66479486

0912 8448763

فروش کنترل تک



ISO 9001
Quality



ISO 14001
Environment



OHSAS 18001
Health & Safety



[HTTP://WWW.CONVALVE.EU](http://www.convalve.eu)



U-PVC TOP FLANGE BALL VALVE

Scan me

DESCRIPTION

Industrial grade Convalve U-PVC ball valves offer a variety of advanced features in a wide range of 1/2 through 4 inch pipe sizes. Energized PTFE ball seats are used to extended cycle life, compensate for wear and lower the operating torque. Dual stem seals and adjustable ball seat carrier contribute to a leak free design. Machined ball and stem connection after molding provides a precise fit.

FEATURES

- Pressure rated 16 Bar (232 PSI) at 23°C
- Full Port design for unrestricted flow
- Energized PTFE ball seats for extended life and lower torque and low pressure loss.
- Leak free dual stem seal design
- Micro-adjustable ball seat carrier
- Fully machined ball and stem connection
- Actuator ready with standard mounting kit
- Sizes from Tested one by one.
- 20 mm to 110 mm (1/2" - 4") Metric and British standard series.
- Made of thermoplastic material, work without any corrosion
- Excellent mechanical and environmental strength.
- Seals available in Teflon for acid and O-Rings available in EPDM.
- Union ends for easy installation and removal.
- Threaded seal carrier. It allows the disassembling of the valve while maintaining system pressure

APPLICATION

Industrial quality full port U-PVC ball valves are typically used for control of water and other media compatible with the materials of construction. Ideal for industrial applications and where construction is required for potable drinking water. Valves can be manually operated or mounted to air or electric actuators using optional ISO5211 mounting kit.

OPERATION

Turning the valve handle one quarter-turn (90°) rotates the ball from closed to the full open position. Easy mounting and maintenance with true union pipe connections. For plumbing convenience, 1/2 to 2 inch sizes include both IPS glue socket and female threaded end connectors. Larger sizes include IPS glue socket end connectors.

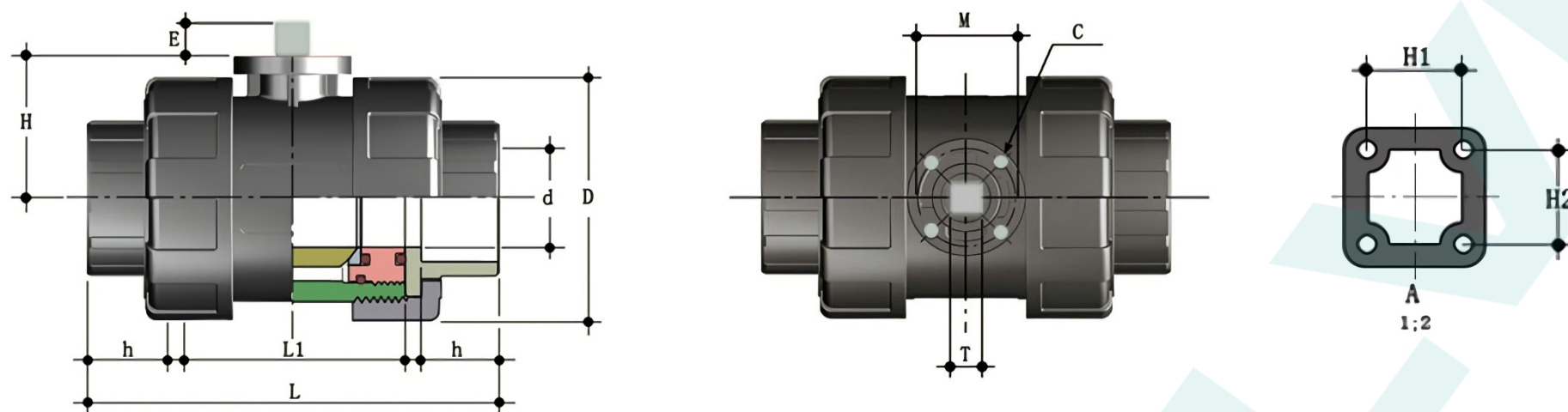
OPTIONS

- Electric actuators
- Air Actuators
- Gearbox / Hand lever

CONSTRUCTION

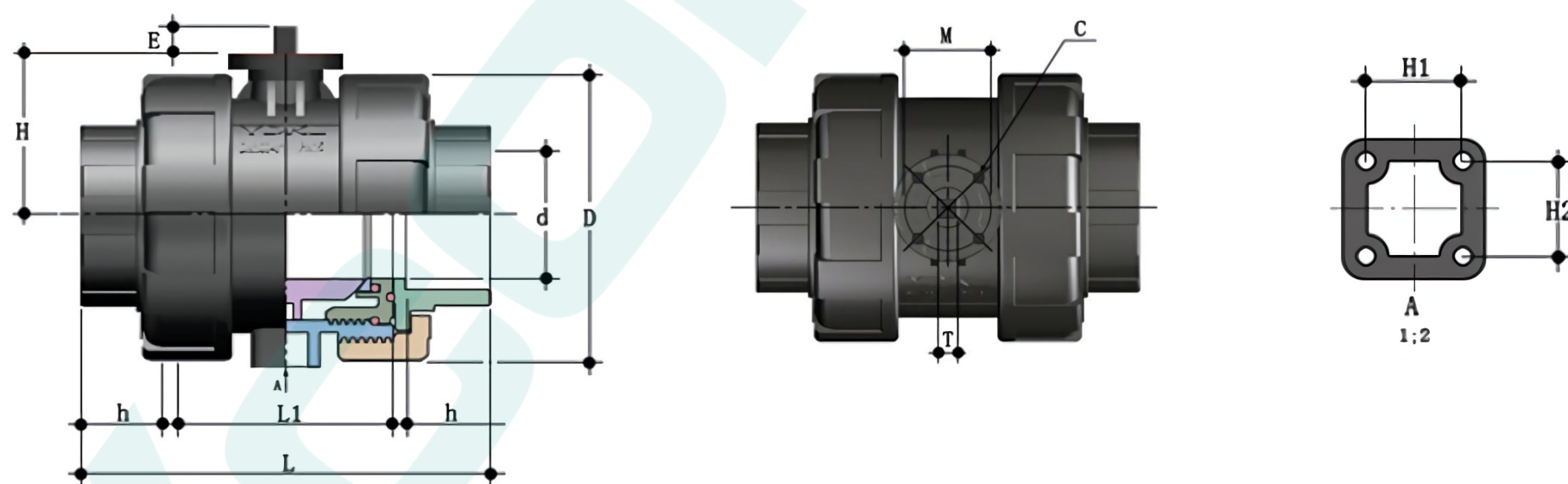
VALVE BODY	U-PVC cell class 12454 per ASTM D1784 (dark gray)
BALL	U-PVC cell class 12454 per ASTM D1784
BALL SEATS	PTFE (Teflon) energized with EPDM or FPM (Viton) seals
STEM	Stainless Steel
STEM SEALS	Dual EPDM or FPM (Viton) seals
END CONNECTORS AND LOCK NUTS	U-PVC cell class 12454 per ASTM D1784

DIMENSION : 1/2 - 2



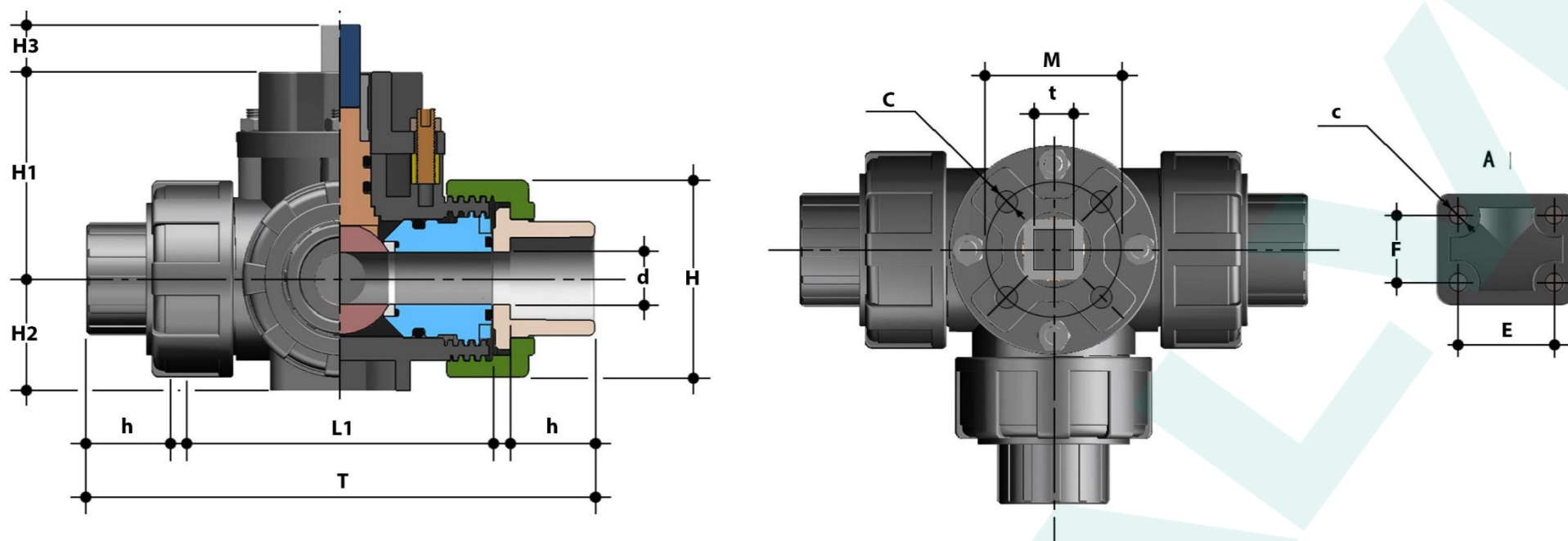
SIZE	D	D	H	H		L	L1	T	E	C	M
				(THREAD)	(SOCKET)						
1/2"	50.5	12.8	32.0	16.0	22.5	120.0	67.0	9x9	9	Ø 5.5	ISO 5211 F03
3/4"	62.5	19.0	40.0	18.0	25.0	135.0	72.0	9x9	9	Ø 5.5	ISO 5211 F03
1"	69.0	24.5	45.0	22.0	27.5	150.0	80.0	9x9	9	Ø 5.5	ISO 5211 F03
1 1/4"	82.5	30.0	54.0	25.0	31.5	167.0	89.5	11x11	14	Ø 6.5	ISO 5211 F05
1 1/2"	99.0	38.0	63.0	27.0	34.0	178.0	93.0	11x11	14	Ø 6.5	ISO 5211 F05
2"	122.6	49.0	73.5	31.0	38.0	204.0	111.0	11x11	14	Ø 6.5	ISO 5211 F05

DIMENSION : 2 1/2 - 4



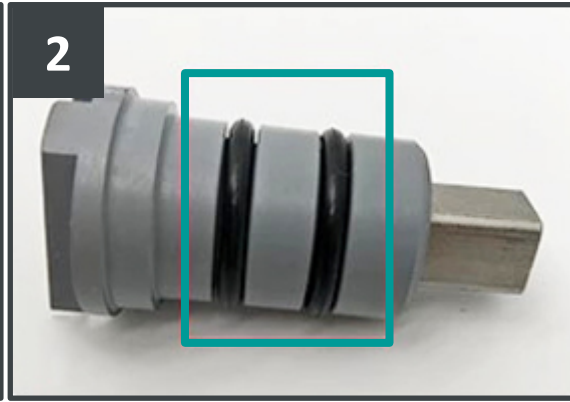
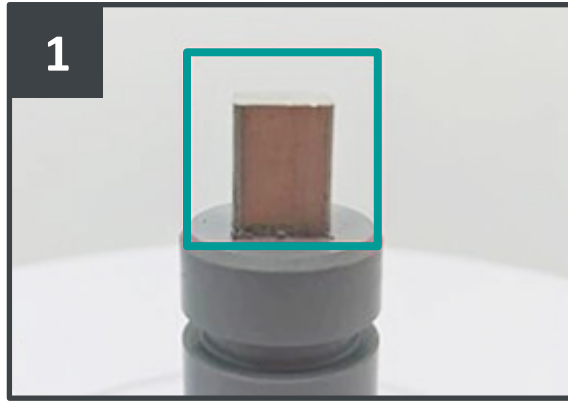
SIZE	D	D	H	H		L	L1	T	E	C	M	H1
				(THREAD)	(SOCKET)							
2 1/2"	150.0	64.0	90.0	38.0	44.5	234.0	120.6	14x14	16	Ø 8.5	ISO 5211 F07	36
3"	178.2	79.0	110.0	43.0	49.0	259.0	138.5	14x14	19	Ø 8.5	ISO 5211 F07	36
4"	218.5	99.0	124.0	57.0	63.5	311.0	163.5	14x14	19	Ø 8.5	ISO 5211 F07	36

DIMENSION : 1/2 - 2



SIZE	H	H1	H2	H3	H	L1	T	T	E	F	D	C	C	M
1/2"	53	55	30	14	23	83	138	11x11	26	18	14	D-M5	D-M6	ISO 5211 F03
3/4"	69	65	38	14	25	110	173	11x11	26	18	20	D-M5	D-M6	ISO 5211 F03
1"	82	68	48	14	28	130	200	11x11	36	24	25	D-M5	D-M6	ISO 5211 F03
1 1/4"	82	68	48	14	32	130	208	11x11	36	24	25	D-M5	D-M6	ISO 5211 F03
1 1/2"	117	92	65	14	35	154	240	11x11	50	30	38	D-Ø8	D-M8	ISO 5211 F07
2"	117	92	65	14	38	154	249	11x11	50	30	38	D-Ø8	D-M8	ISO 5211 F07

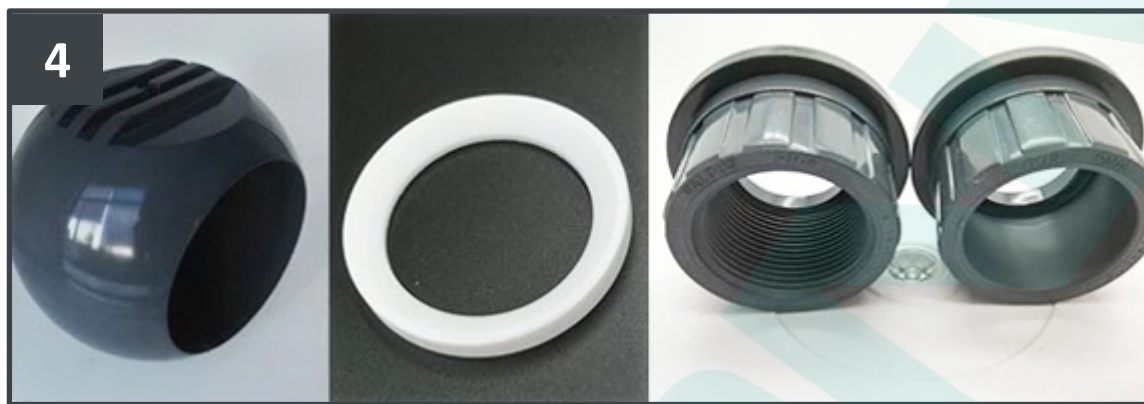
ADVANTAGE



- 1. INJECTED STAINLESS INSERT REDUCE THE RISK OF STEAM BREAK
- 2. DOUBLE SHAFT O-RING



- 3. PTFE SEAT BACKED UP WITH O-RING REDUCE THE WEAR AND TEAR OF REPEATED CYCLING



- 4. PRECISION MACHINED CRITICAL COMPONENTS



- 5. TRUE UNION ENDS FOR EASE OF PIPING AND REMOVAL.



- 6. HANDLE CAN BE REPLACED AND READY FOR ACTUATOR.